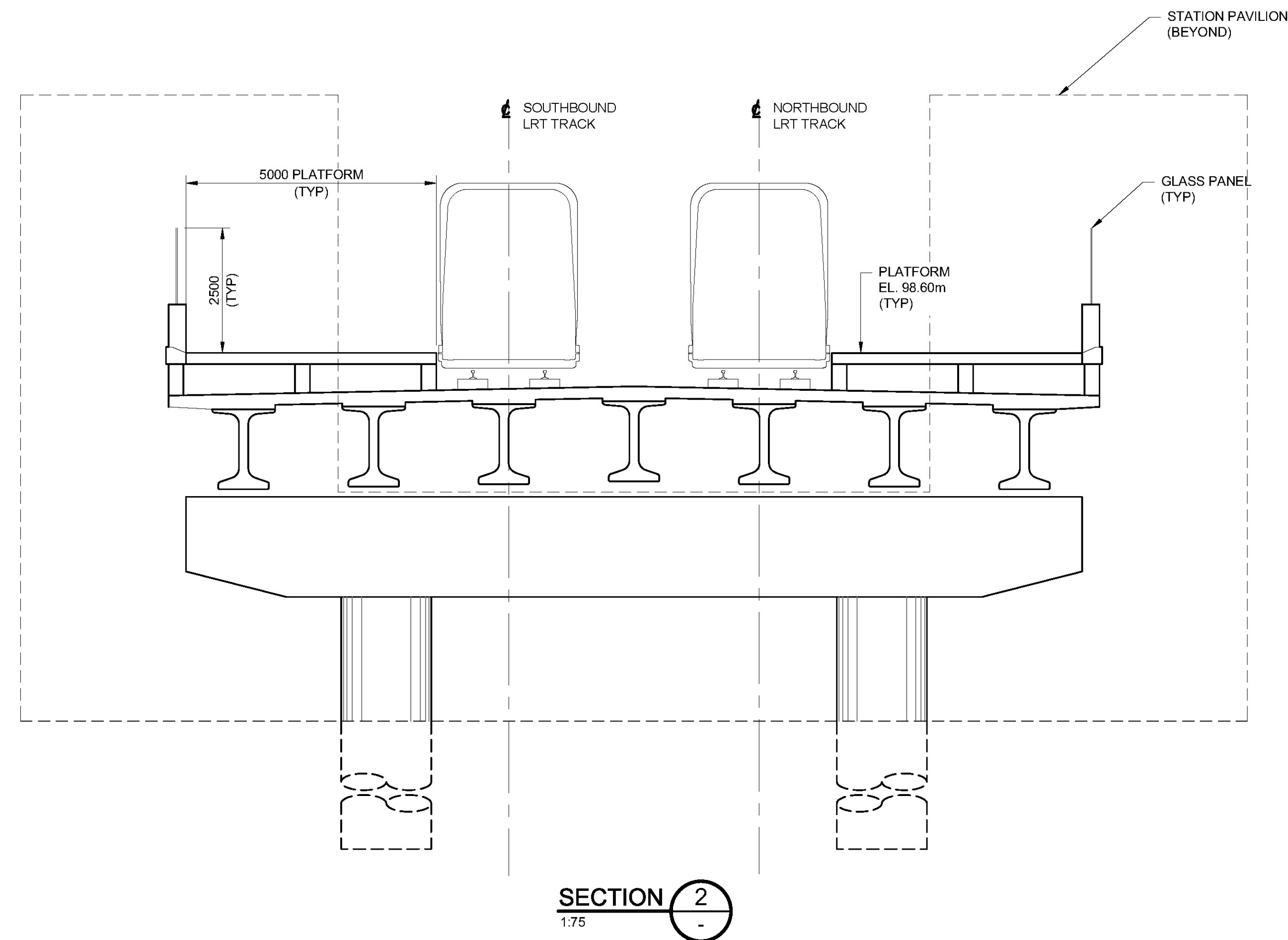


Plot Date: 6-Jul-20

Last Saved: 7/6/2020 7:59:02 AM

Consultant's Information: H:\SOV\767654\00\DWGS\Structures\DWG\BLRT - TRANSPORTWAY - LRT - 5m TRACK SPACE.dwg



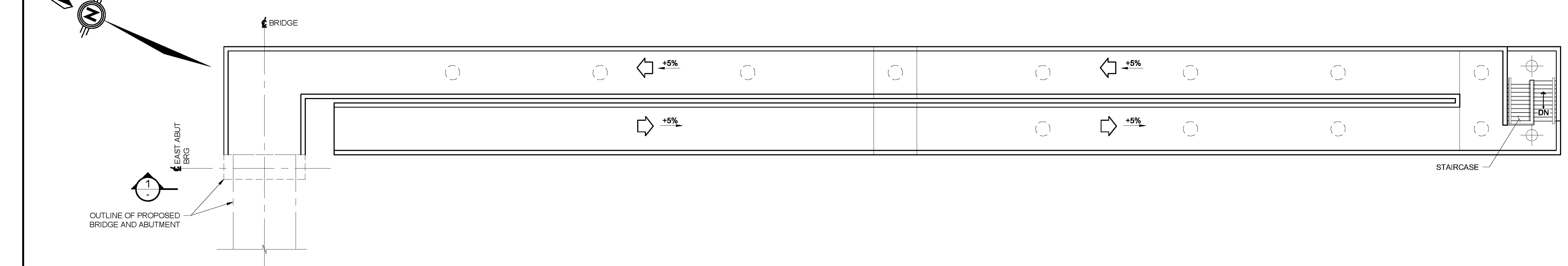
**PRELIMINARY
FOR DISCUSSION PURPOSES
ONLY**
6-Jul-20

Barrhaven LRT Corridor
Baseline Station to Barrhaven Town Centre Station

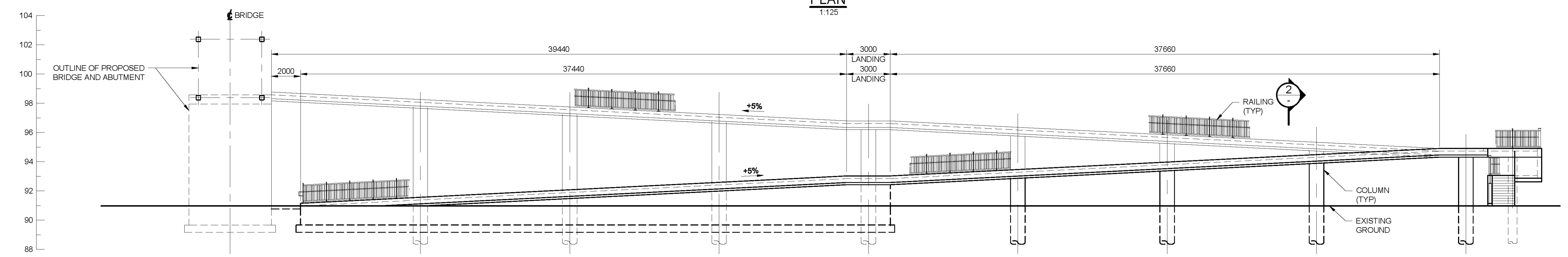


BARRHAVEN LRT
SPORTSPLEX
PED BRIDGE GA
SHEET 2

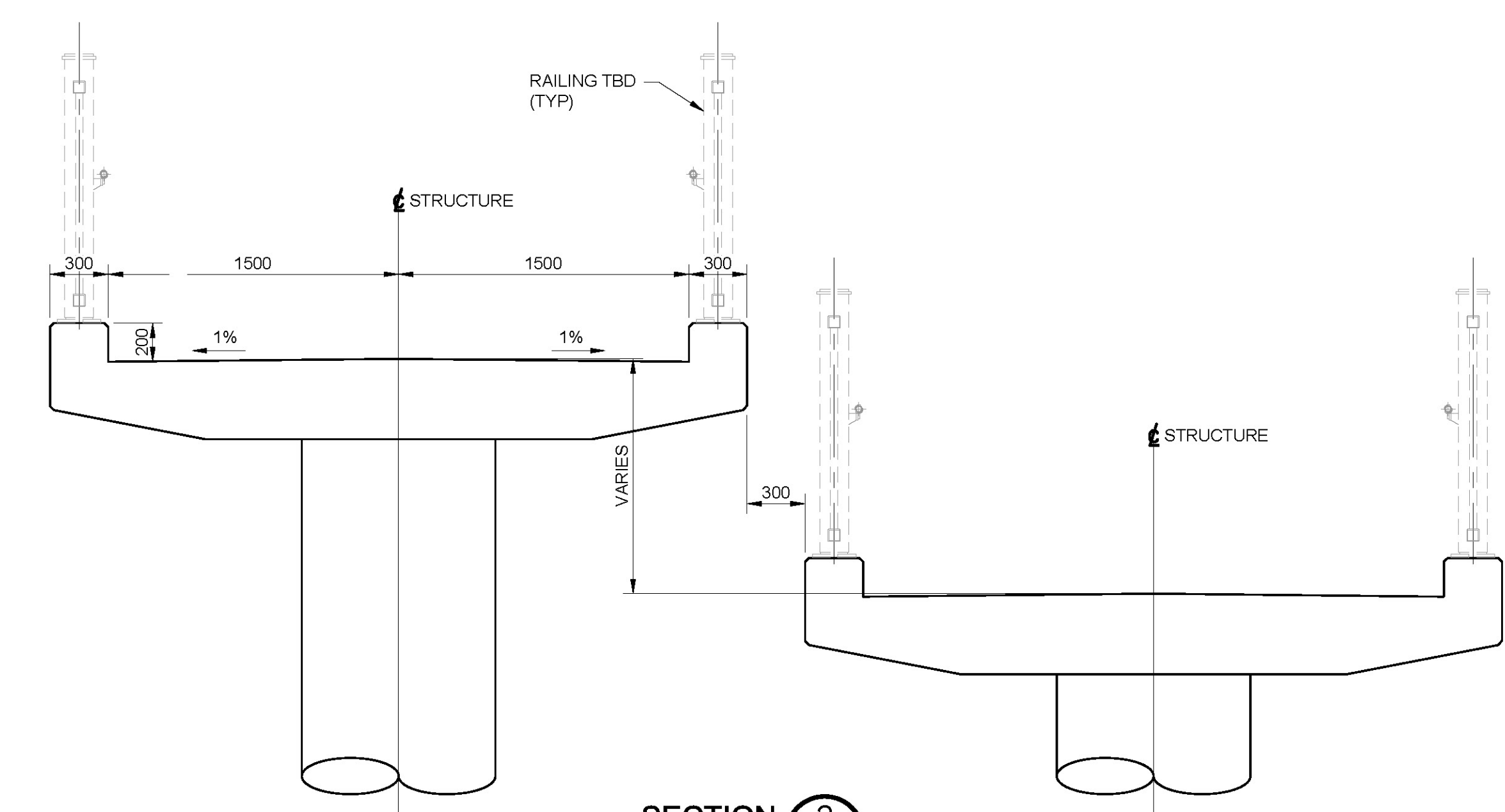
Revision:
Sheet: **S01-2**



PLAN
1:125



ELEVATION 1
1:150



SECTION 2
1:25

**PRELIMINARY
FOR DISCUSSION PURPOSES
ONLY**
 6-Jul-20

Barrhaven LRT Corridor
 Baseline Station to Barrhaven Town Centre Station

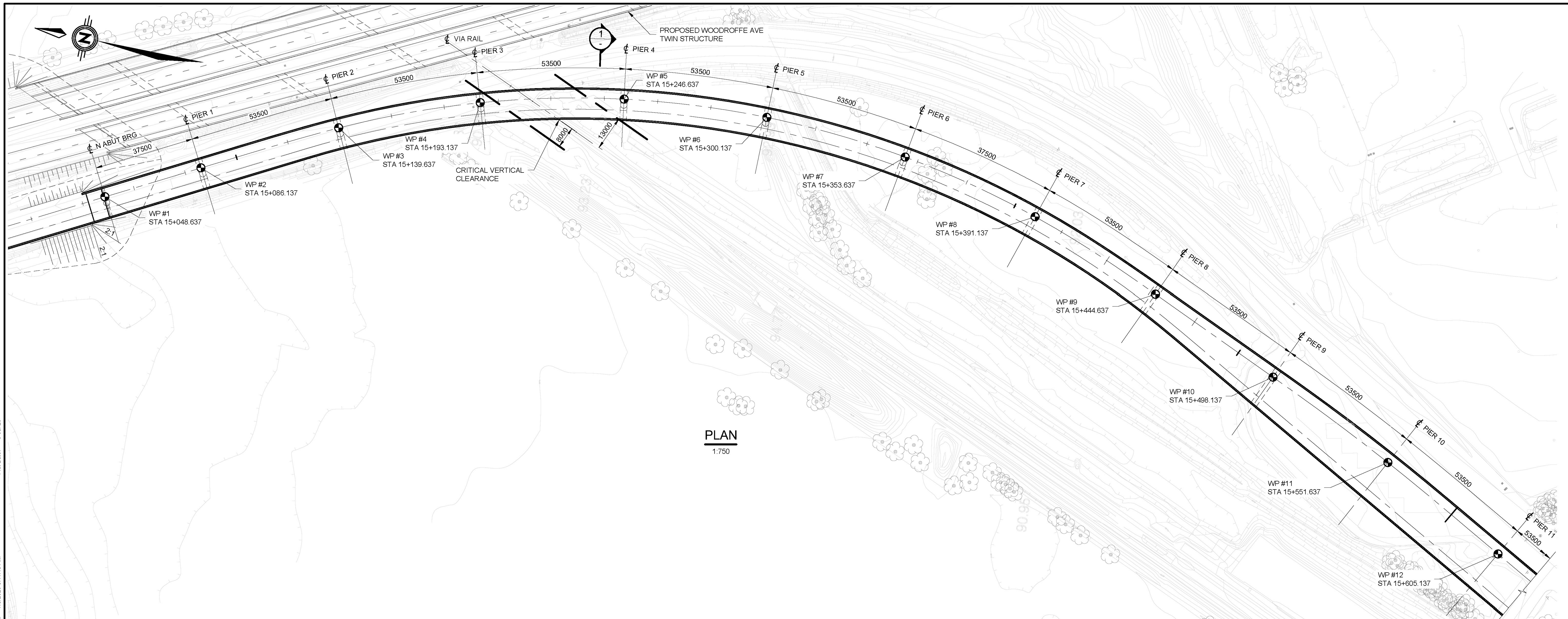


BARRHAVEN LRT
 SPORTSPLEX
 ACCESS RAMP
 DETAILS

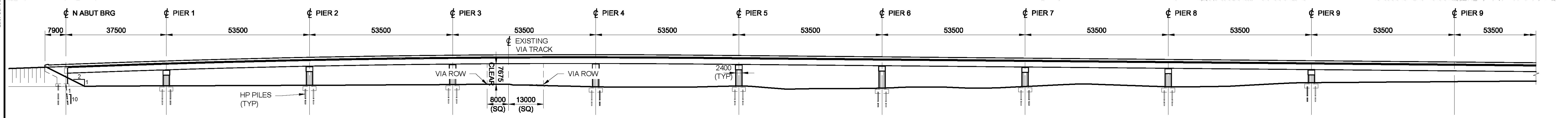
Revision:	
Sheet:	S01-3

Consultant's Information: H:\SO\176754\00\DWGS\Structures\DWG\BLRT - TRANSPORTWAY - LRT - 5m TRACK SPACE.dwg
 Last Saved: 7/6/2020 7:59:02 AM
 Pld Date: 6-Jul-20

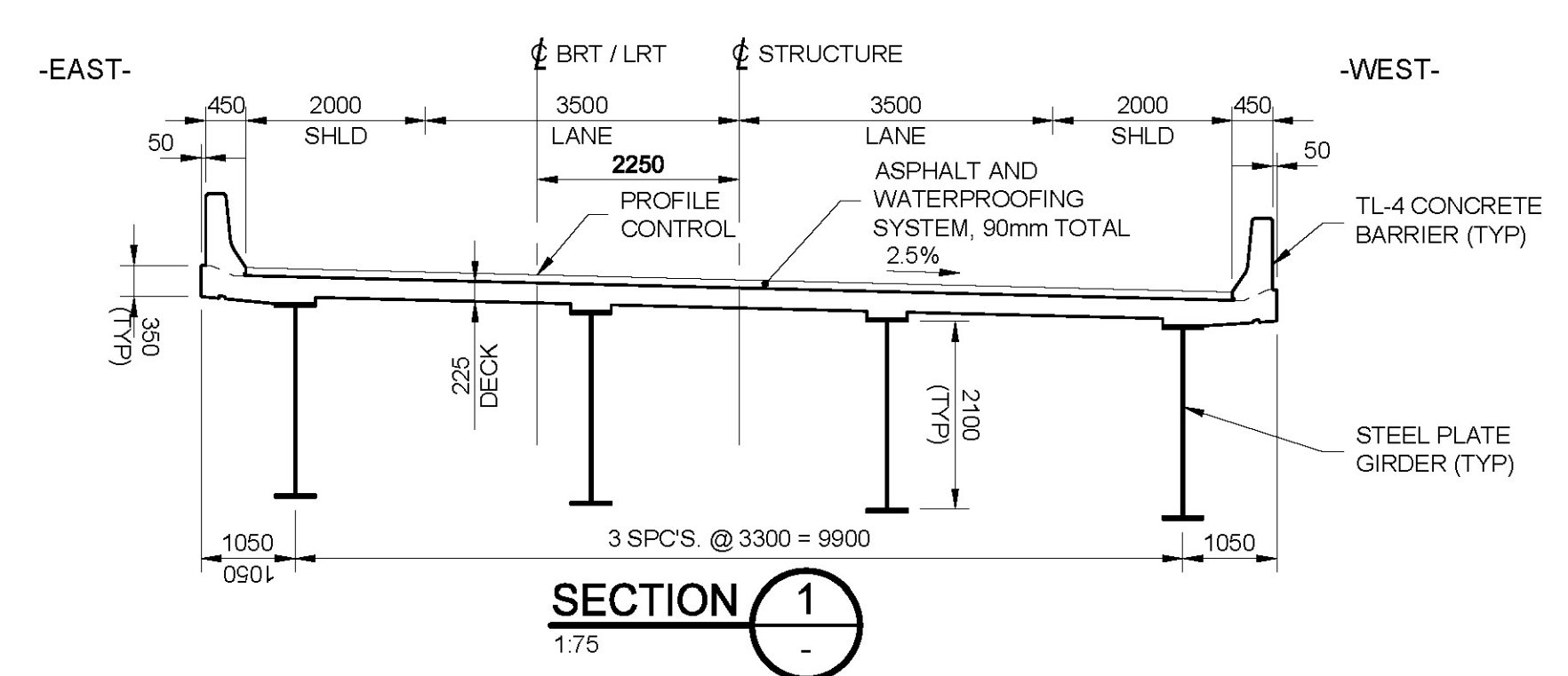
Consultant's Information: H:\ISO\167654\00\DWGS\Structures\DWG\BLRT - TRANSITWAY - LRT.dwg
 Last Saved: 7/20/2020 9:41:15 AM
 Plot Date: 6-Jul-20



PLAN
1:750



ELEVATION
1:750



SECTION 1
1:75

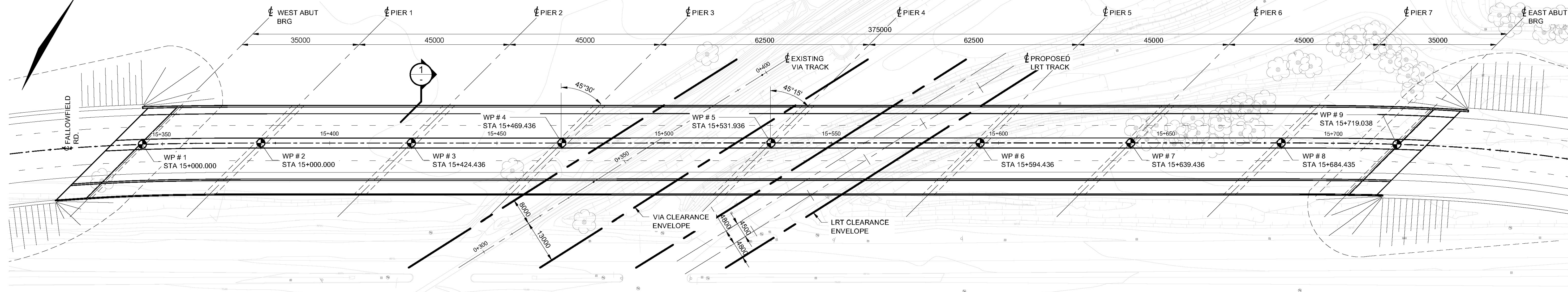
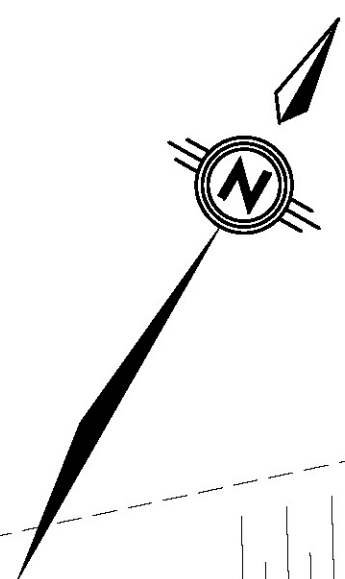
**PRELIMINARY
FOR DISCUSSION PURPOSES
ONLY**
 3-Jul-20

Barrhaven LRT Corridor
 Baseline Station to Barrhaven Town Centre Station

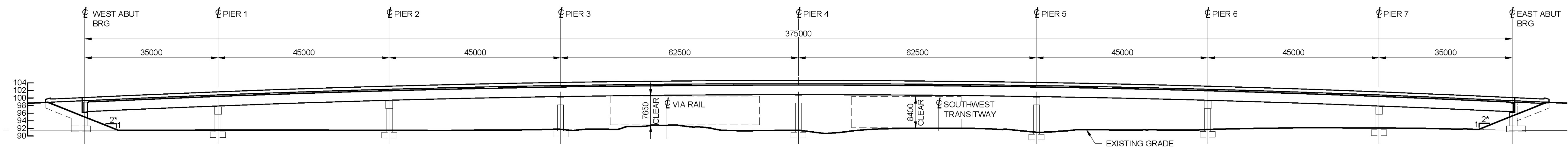


BARRHAVEN LRT
 TRANSITWAY
 LRT OPTION GA

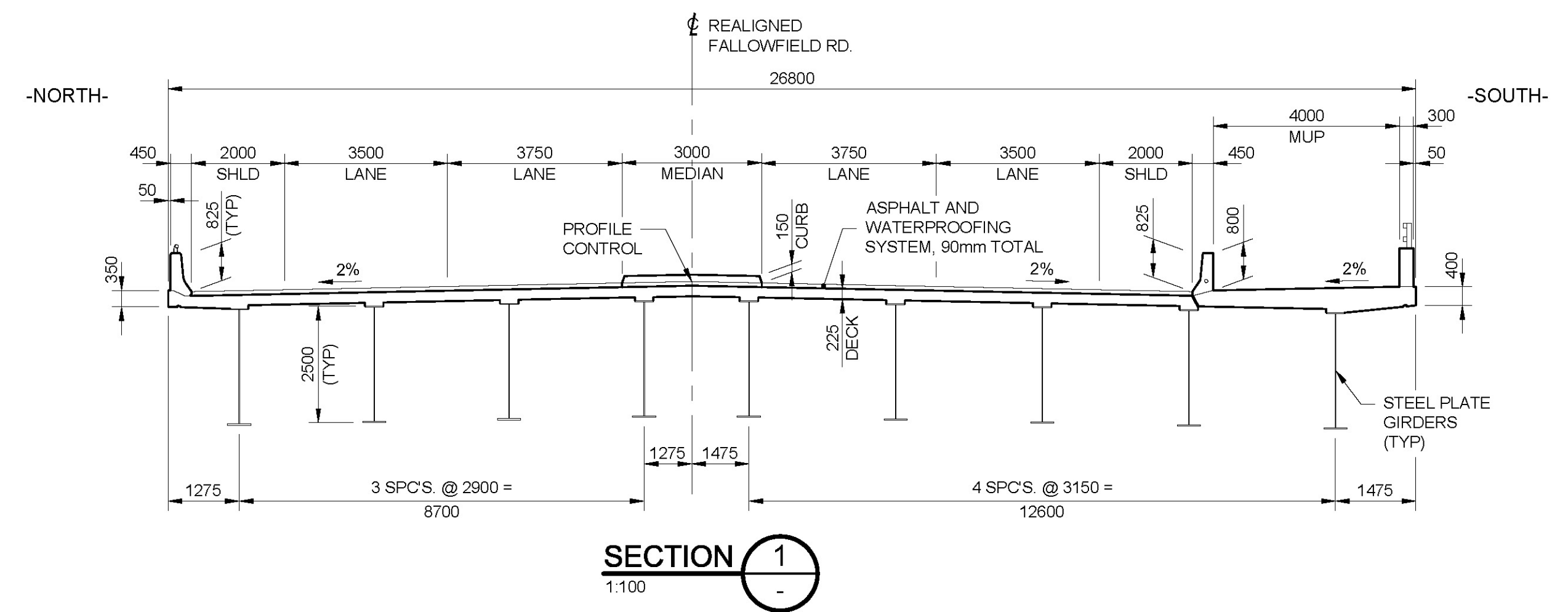
Revision:
 Sheet: **S02**



PLAN
1:600



ELEVATION
1:600



SECTION 1
1:100

**PRELIMINARY
FOR DISCUSSION PURPOSES
ONLY**
6-Jul-20

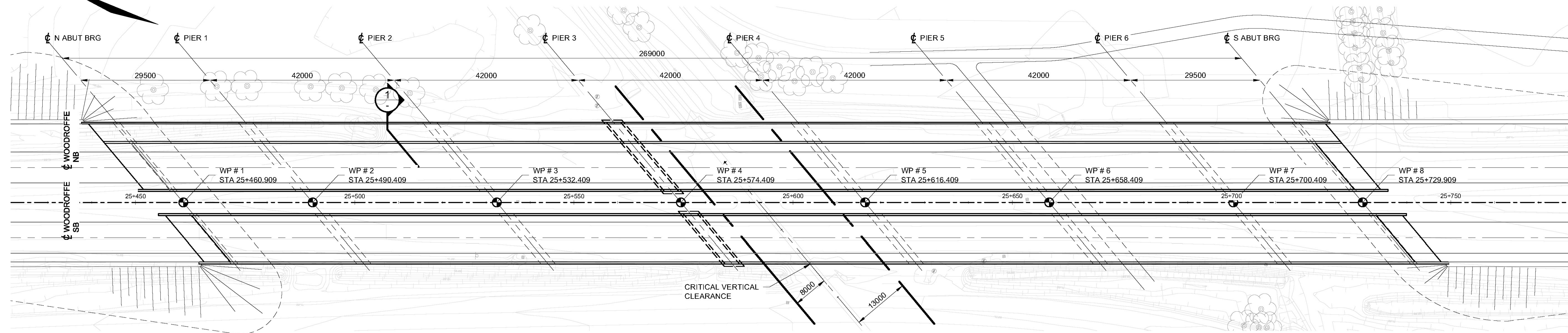
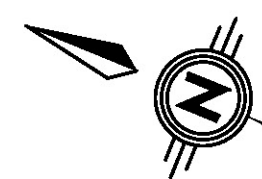
Consultant's Information: H:\ISO\17616540\DWGS\Structures\DWG\BLRT - TRANSITWAY - LRT.dwg
 Last Saved: 7/6/2020 7:26:34 AM
 Plot Date: 6-Jul-20

Barrhaven LRT Corridor
Baseline Station to Barrhaven Town Centre Station

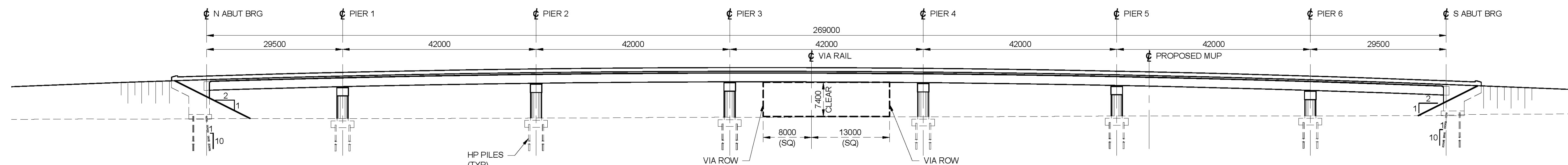


BARRHAVEN LRT
FALLOWFIELD RD
GA

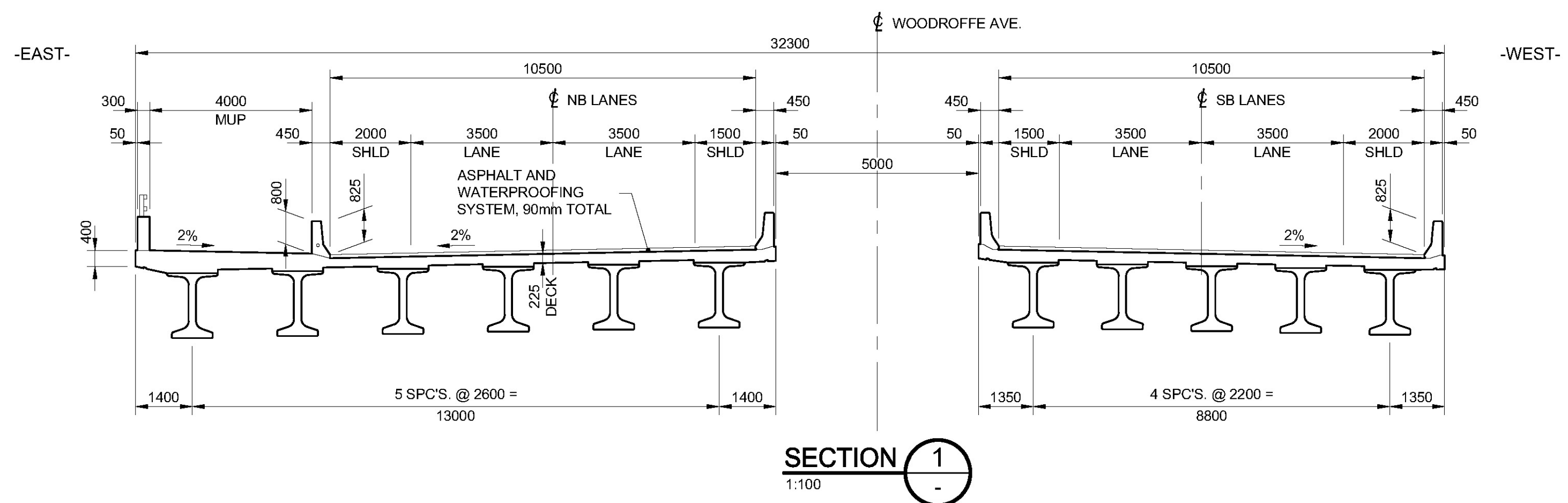
Revision:
Sheet:
S03



PLAN
1:750



PLAN
1:750



SECTION 1
1:100

**PRELIMINARY
FOR DISCUSSION PURPOSES
ONLY**
6-Jul-20

Barrhaven LRT Corridor
Baseline Station to Barrhaven Town Centre Station



BARRHAVEN LRT
WOODROFFE
TWIN STRUCTURE

Revision:
Sheet: **S04**

Plot Date: 6-Jul-20
 Last Sheet: 7/6/2020 9:07:15 AM
 H:\ISO\176755\00\DWGS\Structures\DWG\BLRT - WOODROFFE DOUBLE STRUCTURE.dwg